

## *OIS G 13 959 EFFER Crane*



Fig.1. Grue Effer

Dimensions du skid

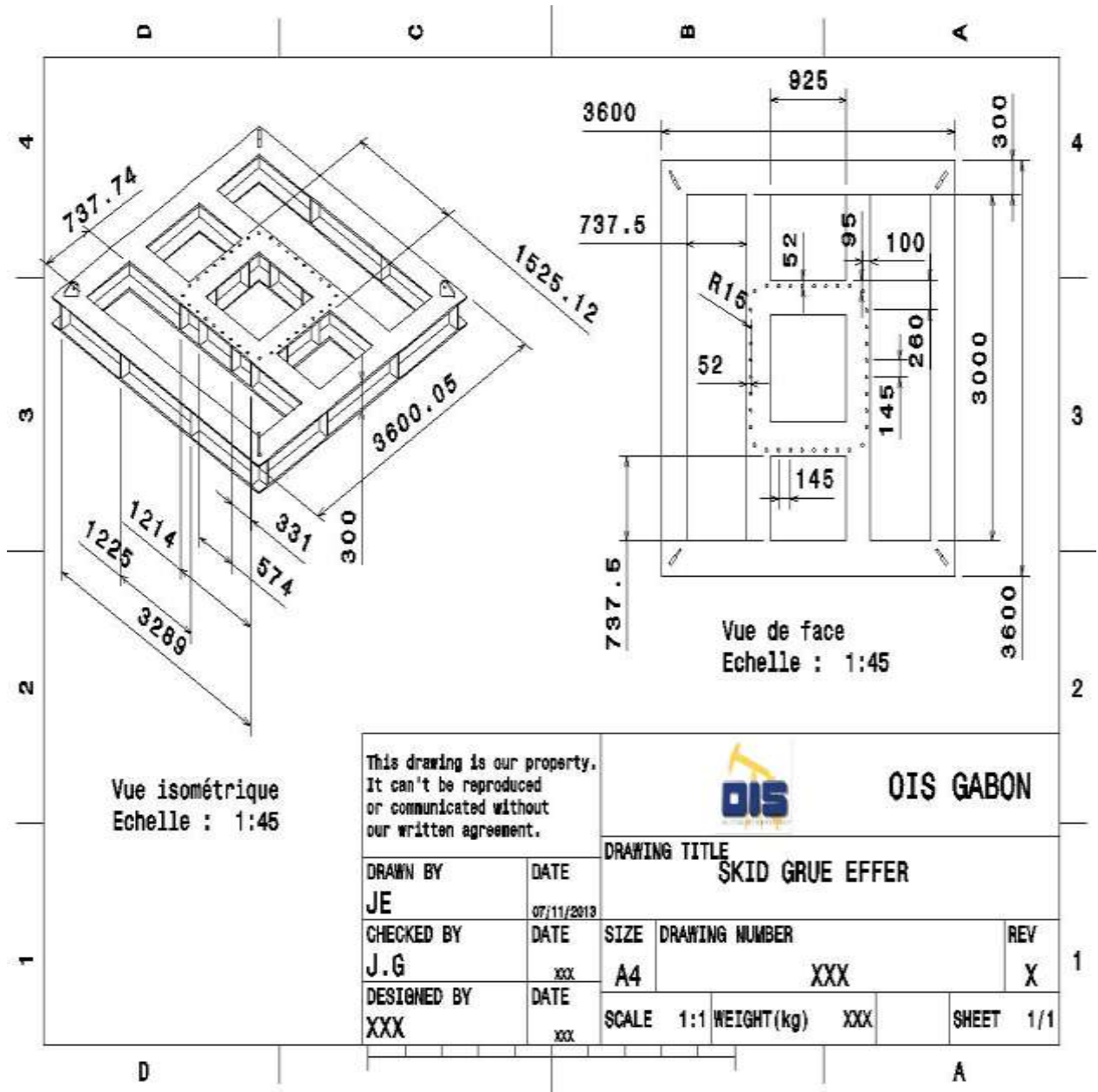
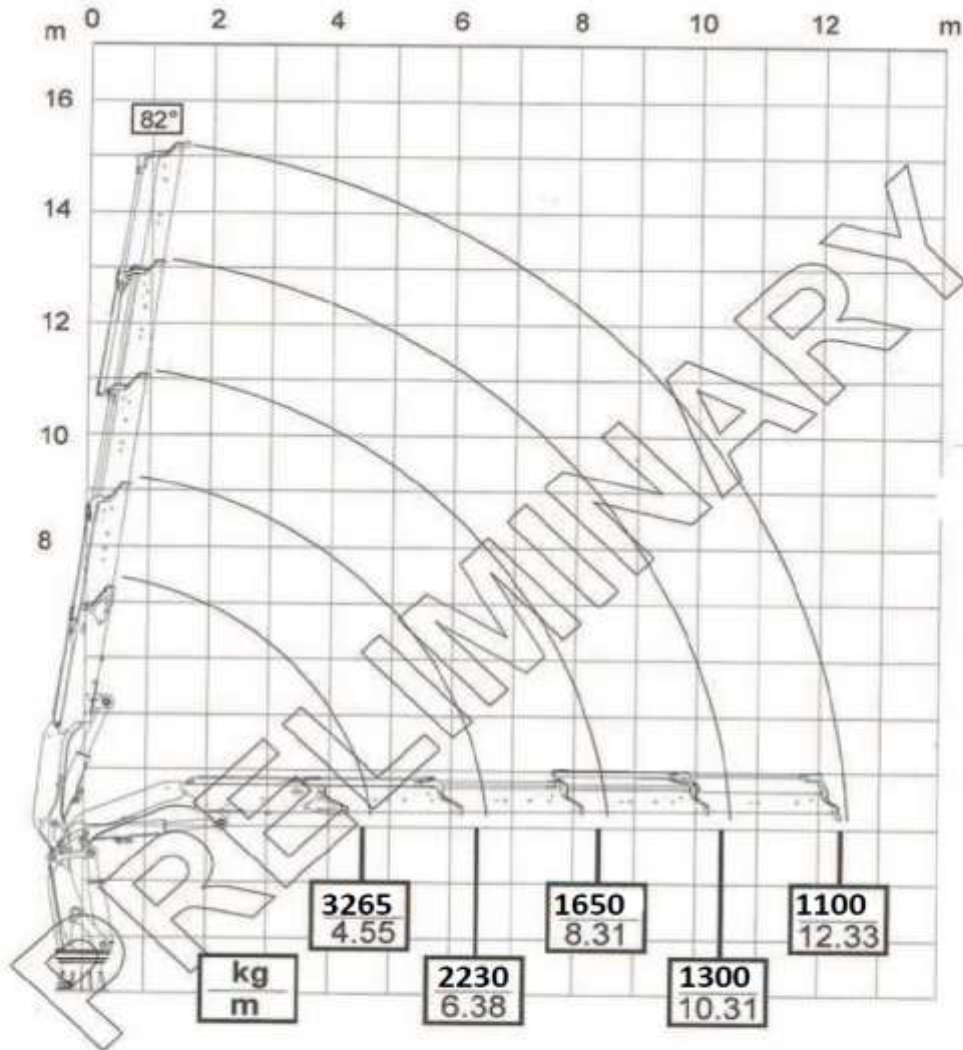




Fig.2.Plan du skid grue Effer



|   | Poids de l'équipement  |         |
|---|--|---------|
| 1 | Poids grue fixée sur son skid  | 7350 kg |
| 2 | Poids de la grue sans son skid   | 4850 kg |
| 3 | Skid de la grue 3.6 m x 3.6 m (Peut être démonté de la grue si besoin) | 2500 kg |
| 4 | Centrale hydraulique   | 1750 kg |
| 5 | Tool & Rigging box   | 1000 kg |



 Max. load which can be lifted in the position indicated.

 Lifting curve obtained when the Load moment limit device, supplied as optional, is installed and starting with the outer boom in horizontal position.

The SWL is obtained lifting with the hook and with the main boom up to 20°.

The installation of a winch, supplied as optional, as well as the operating conditions may vary the stated values. Please refer to the specific data sheets for more information.