

OIS Braden Hydraulic Winch CH 280

Model CH 280A- 54110- 01-1 Personnel Handling option



Wire Rope Storage Capacities

	01 DRUM ROPE CAPACITY (1 in. ROPE)	
	FT	M
1	121	37
2	254	77
3	400	122
4	559	170
5	731	223
6	915	279

CH280A-54110-01 & 02

11.0 cu in. Motor (181 cc)

3,000 PSI (206 bar) @ 155 gpm (587 lpm)

Wire Rope Diameter: 1 in.

	LINE PULL		LINE SPEED	
	LB	KG	FPM	MPM
1	23,280	10,582	277	84
2	21,060	9,573	307	94
3	19,230	8,741	336	102
4	17,690	8,041	365	111
5	16,380	7,445	394	120
6	15,250	6,932	424	129

ois-gabon@ois-group.com

ois-congo@ois-group.com

CH280A Construction Hoist

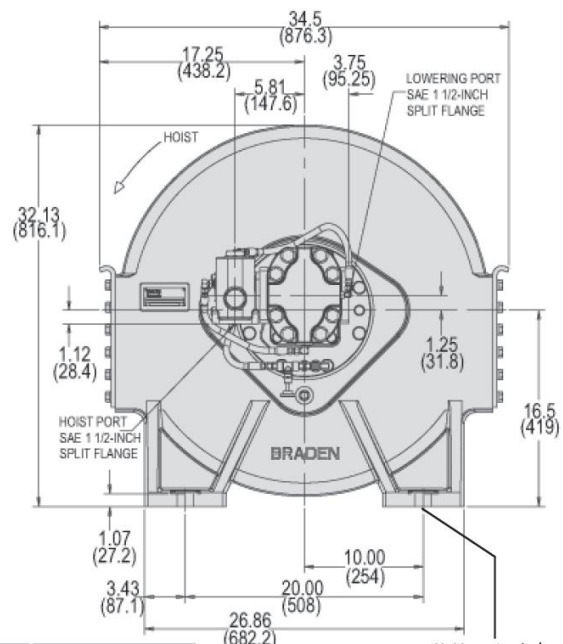
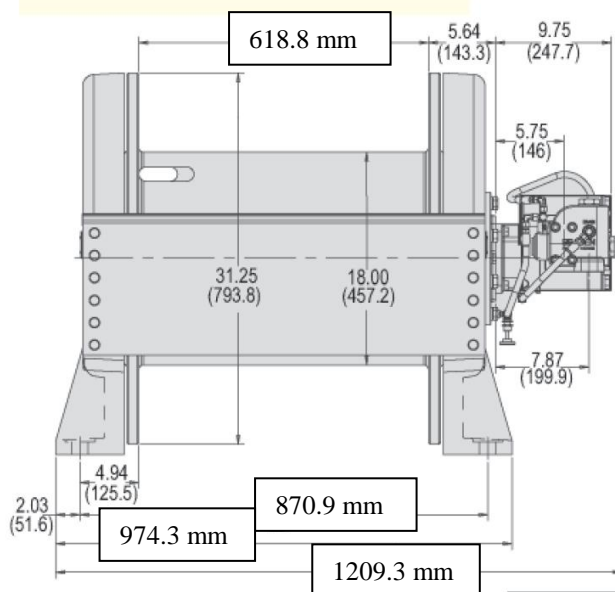
28,000 LB Capacity

BRADEN
PACCAR WINCH DIVISION



Standard Features:

- Multi-disc spring applied, hydraulically released brake to hold the load even if a hydraulic line breaks
- Anti-friction bearings used throughout to maximize efficiency
- Brake valve for smooth performance
- Full load wire rope anchor
- High efficiency motor



ois-gabon@ois-group.com

ois-congo@ois-group.com