

## OV MULTIBASKET STRAINER

### Model OV.

Sizes 200mm (8")

Single Filter Multi-basket models extend the range of Single Filters, these units are specially designed to be compact and easily maintained and are supplied with lighter more manageable baskets when compared to other units with similar pipe size connections.

The filter is of cast construction and is supplied with high quality stainless steel cylindrical baskets. It is used in liquid handling installations where the flow can be shut off for short periods to allow the removal of baskets for cleaning.



### MAIN FEATURES

- High quality 316 grade stainless steel baskets with large filtration areas resulting in low pressure drops.
- Compact design for space saving.
- Quick release filter covers and knobs for easy maintenance.

### OPTIONS

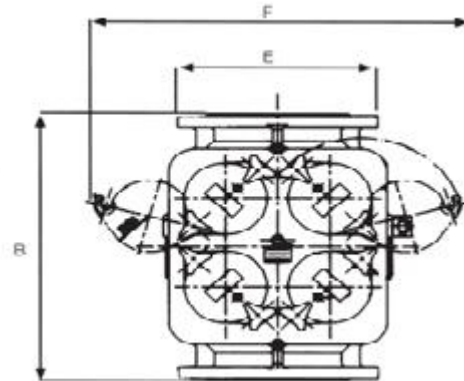
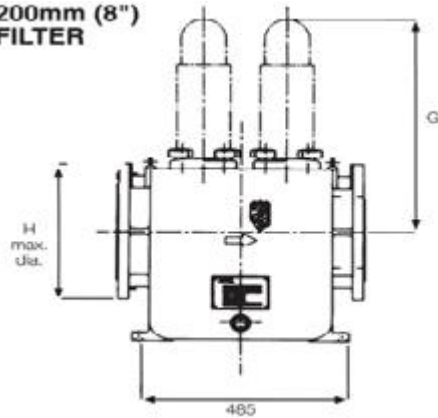
- Range of extras allowing filter to be customised.
- Available in cast iron, cast steel, bronze or stainless steel.
- Visual/Electrical differential pressure indicators are available.
- Magnetic columns (pre-magnetic filtration).

### **Product Details.**

<b>MODEL</b>	<b>OV</b>
<b>Body Material</b>	Cast Iron BS EN1561/EN-JL1030
<b>Cover Material</b>	Cast Iron BS EN1561/EN-JL1030
<b>Maximum working pressure</b>	13.8 barg at 50°C
<b>Drain plug</b>	Brass
<b>Vent</b>	Stainless Steel
<b>Standard seals</b>	Nitrile (-30°C to +120°C)
<b>Body colour</b>	Blue

**Dimensions and weights.**

200mm (8")  
FILTER



Dimensions in mm

NB Size	A	B	C	D	E	F	G	H	Weight
8"	200	595	230	308	420	658	610	381	260kg