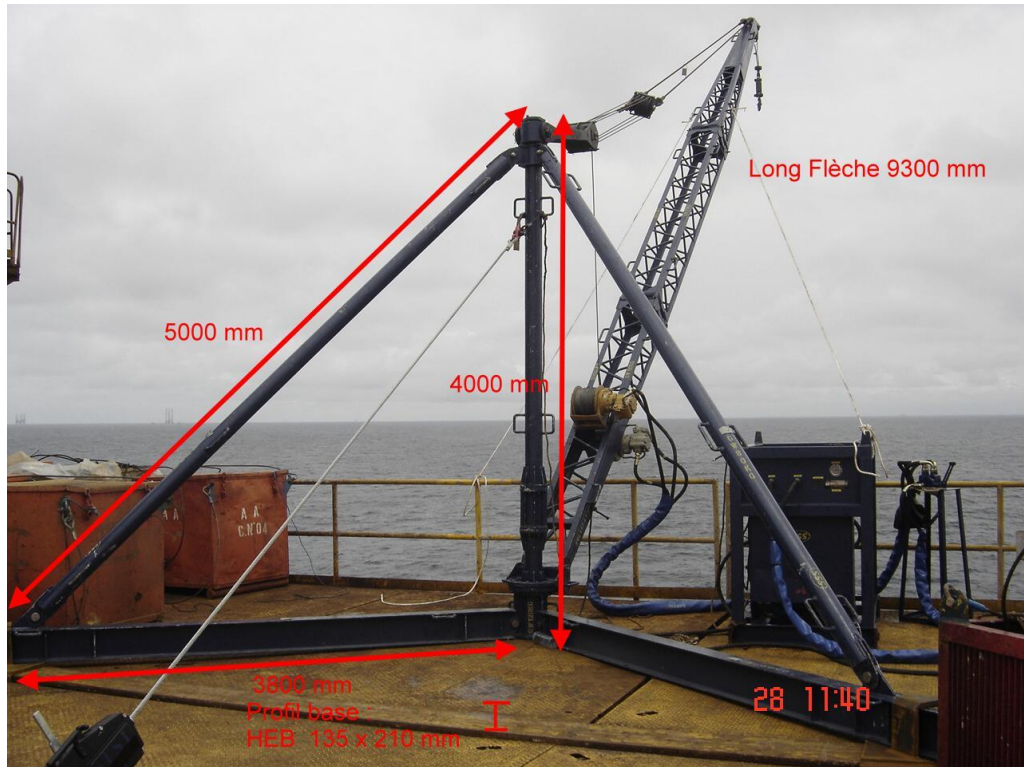


OIS « LITTLE GIANT » Crane

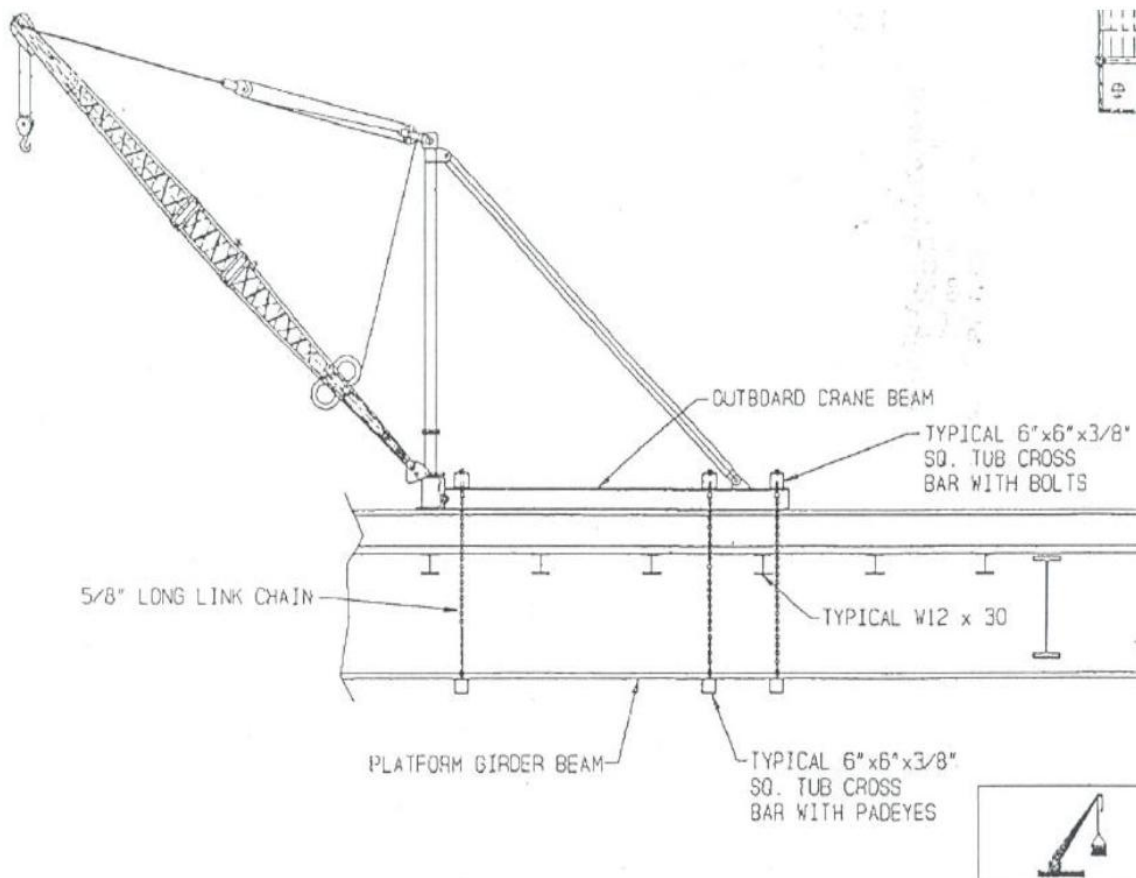


- **Versatile / adaptable modular crane**
- **Can be mounted on site with minimum crew, without external crane**
- **Can be clamped, no hot work required on site**
- **SWL : please see below**
- **Maximum boom length : 18 m (60 ')**
- **Third party certified**

www.ois-group.com

BOOM LENGTH = 32'

RADIUS	ANGLE FLECHE	SWL / CMU KG	SWL / CMU LBS
10'	76,0	3100 kgs	6958 LB
15'	67,3	2800	6283
20'	58,1	2500	5608
25'	47,9	2200	4933
30'	15,9	1900	4258



www.ois-group.com

Typical Packing list:

- 1x basket 5 m x 1.2 m x h 1.2 m , GW 2 tons
- 1 x offshore box 2m x 1 m x 1 m (qty 02)
- 1 x HPU typical dimensions 1.5 m x 1 m x h 1.5 m



Crane part list :

QTE	Description	Poids ind	Poids total	Fonction
2	Treuil hydrauliques	60 k	10 k	Levage charge / flèche
2	HEB support base	150 k	300 k	Support sol
2	Supports diagonales	80 kg	160 k	Support verticale
1	Support embase	120 k	120 k	Pied de la grue
1	colonne	180 k	180 k	Support principale
1	Segment inferieur flèche	110 k	110 k	1 ^{er} segment flèche
1	Pièce flèche section moyenne	70 k	70 k	Segment milieu flèche
1	Segment supérieur flèche	110 k	110 k	Extrême de flèche

www.ois-group.com