

# HYDRAULIC SPOOLER

---

## FEATURES

- Hydraulic driven spooler
- Electric or diesel driven power pack to suit requirements



## DIMENSIONS :

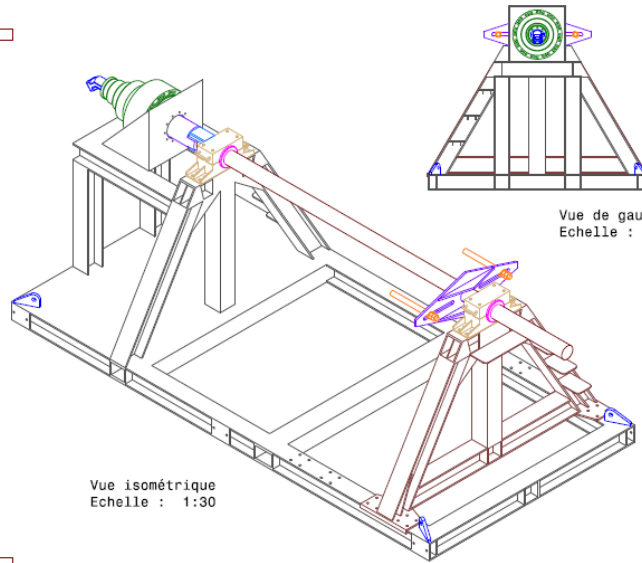
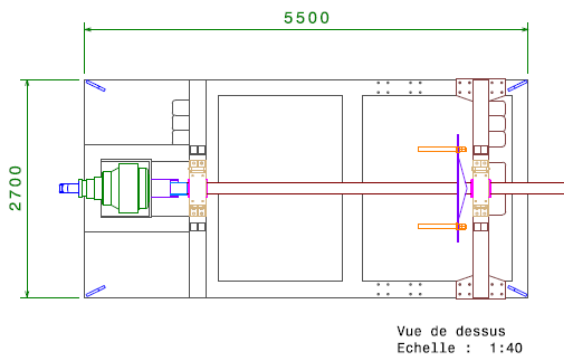
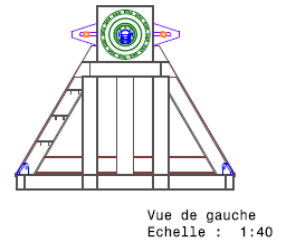
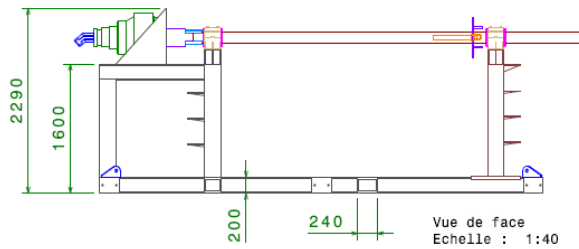
- Skid dimensions: 5.5 m x 2.7 m x h 2.3 m, GW (empty) 6 tons
- Base frame with tie down plates
- Accept drums up 3 m x 3.8 m diameter, 45 tons
- Max couple 11kNm / max speed 15 RPM

GABON [ois-gabon@ois-group.com](mailto:ois-gabon@ois-group.com)

CONGO

[ois-congo@ois-group.com](mailto:ois-congo@ois-group.com)

- Shaft diameter = 150 mm



Vue isométrique  
Echelle : 1:30

**NB : Base du spooler en HEB 200 et fourches en UPN 240**

DESIGNED BY: Aymeric Castellanel		Spooler 11-739	I	-
DATE: 17/07/2012			H	-
CHECKED BY: Juan Guerrero		OIS Group	G	-
DATE: 17/07/2012			F	-
SIZE: A3	SCALE: 1:40	WEIGHT (kg): 7 145,70	D	-
	DRAWING NUMBER: assemblage spooler	SHEET: 1/1	E	-
This drawing is our property; it can't be reproduced or communicated without our written agreement.			C	-
			B	-
			A	-